

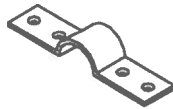
REVELATION

by UTTERMOST

ASSEMBLY INSTRUCTION FOR ITEM #R22934



① Center Wood Shelf - 1 Pcs

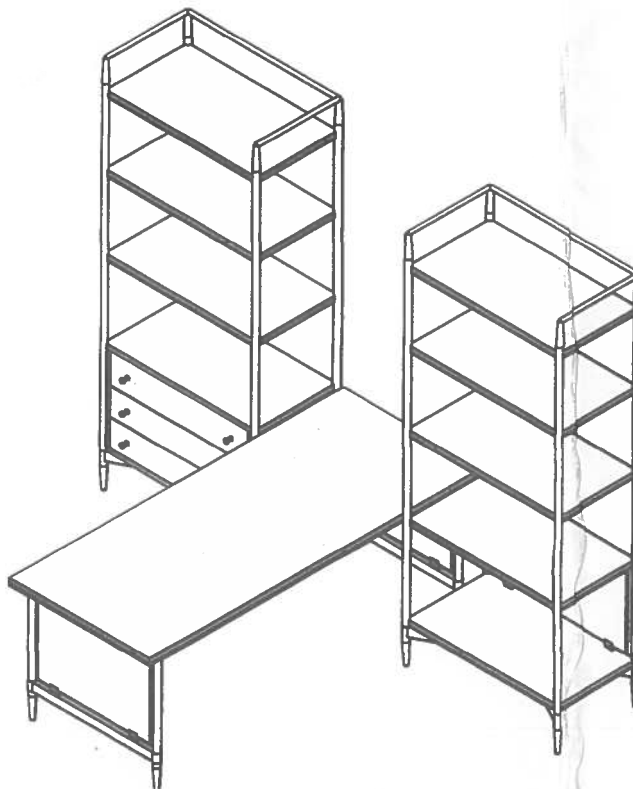


② Metal Bracket - 2 Pcs



③ Screw JF 6mm x 5/8" - 8 Pcs

1



① Place The Bookcase side by side with space between them as shown in the picture

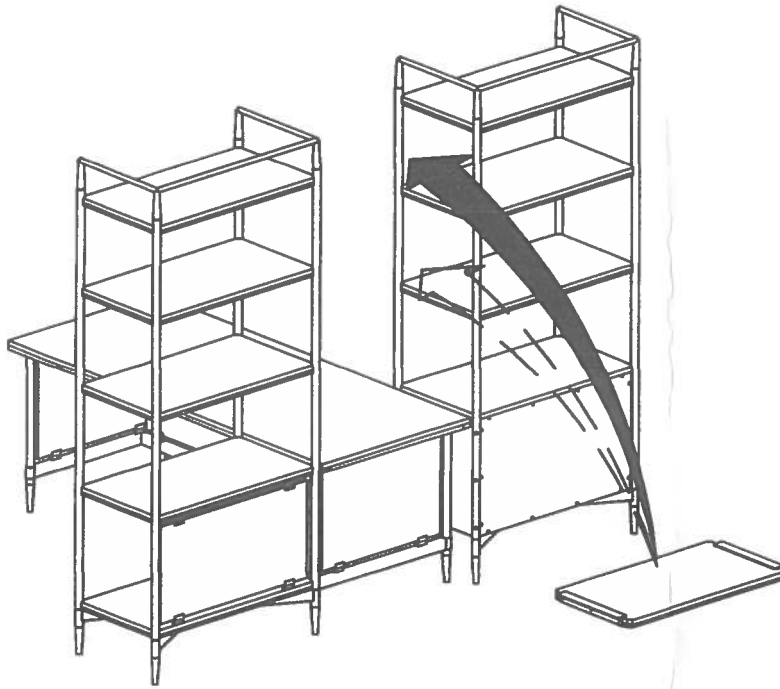
Page 1

REVELATION

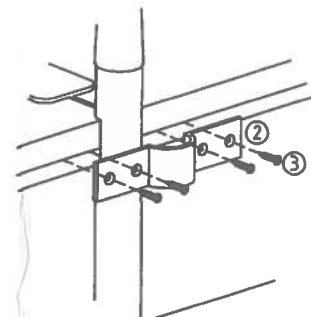
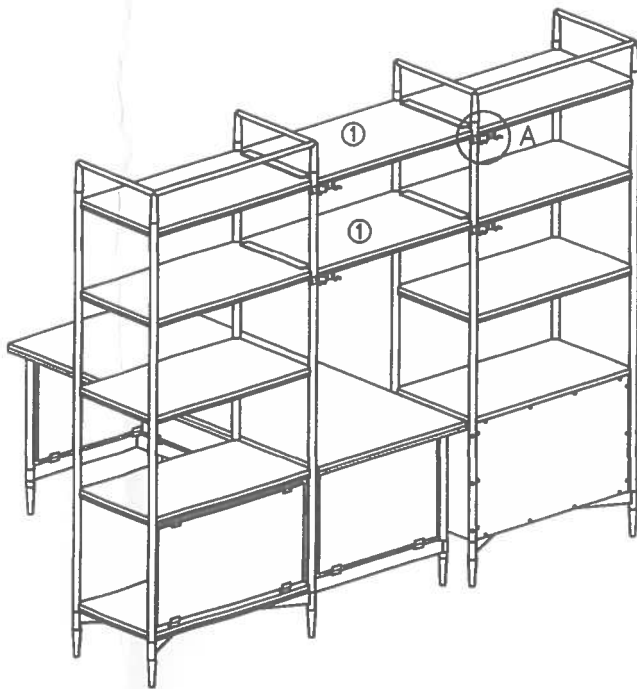
by UTTERMOST

ASSEMBLY INSTRUCTION FOR ITEM #R22934

2



3



A (1:5)